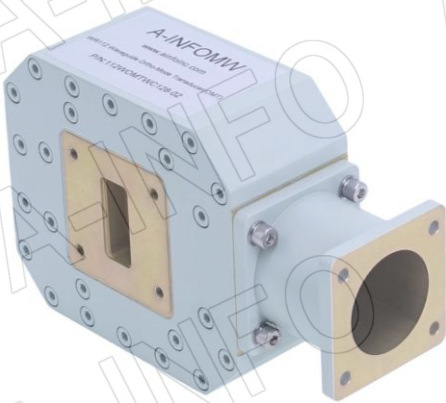


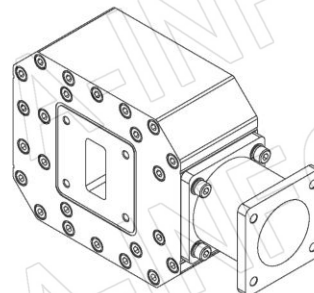
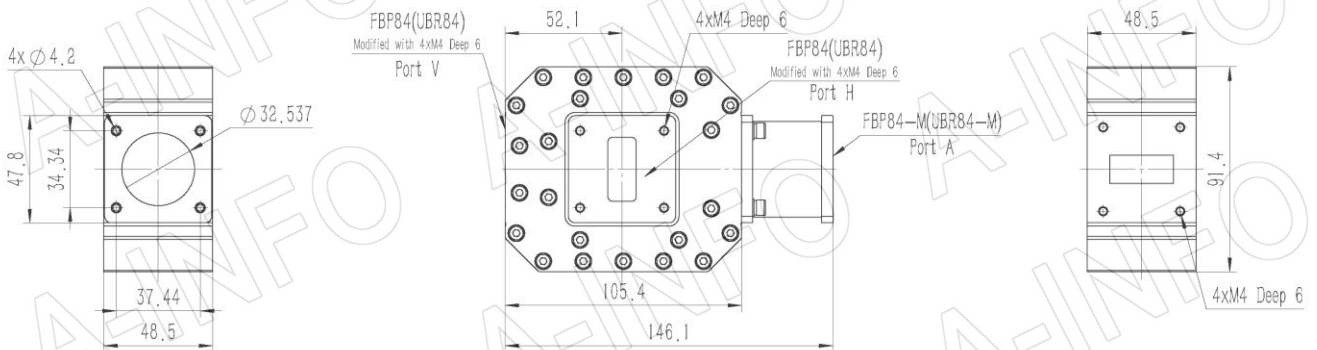
For reference only. See data sheet for the detailed specifications.

## Technical Specification



|                            |                                             |
|----------------------------|---------------------------------------------|
| EIA WR                     | WR112                                       |
| Frequency Range(GHz)       | 7.05 – 10.0                                 |
| Bandwidth                  | Full                                        |
| Common Port                | 32.537mm/1.281" Circular WG                 |
| Insertion Loss(dB)         | 0.35 Max.                                   |
| VSWR                       | 1.30:1 Typ.                                 |
| Cross Pol. Isolation(dB)   | 60 Typ.; 50 Min.                            |
| Port to Port Isolation(dB) | 40 Min.                                     |
| Common Port Flange         | FBP84-M(UBR84-M)                            |
| Flange                     | FBP84(UBR84)<br>(Modified with 4xM4 Deep 6) |
| Material                   | Al                                          |
| Size(mm)                   | 146.1 x 48.5 x 91.4                         |
| Net Weight(Kg)             | 1.11 Around                                 |

## Outline Drawing (Size: mm)



**AINFO Inc.**

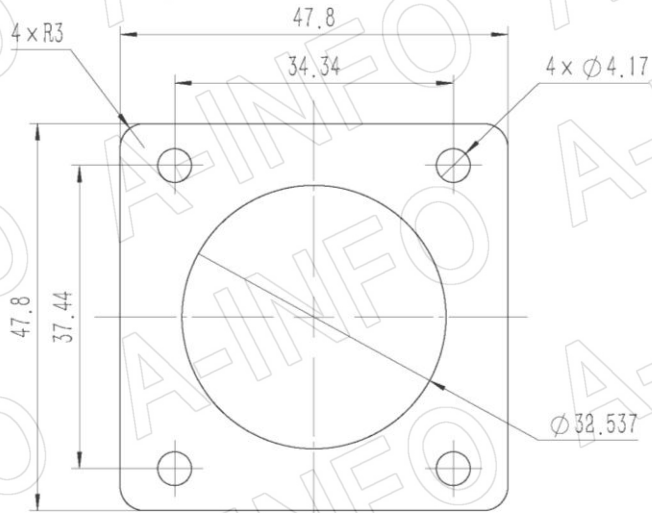
China(Beijing): Tel: (+86) 10-6266-7326,  
China(Chengdu): Tel: (+86) 28-8519-2786,  
USA: Tel: (+1) 949-639-9688,

Page 1 of 5

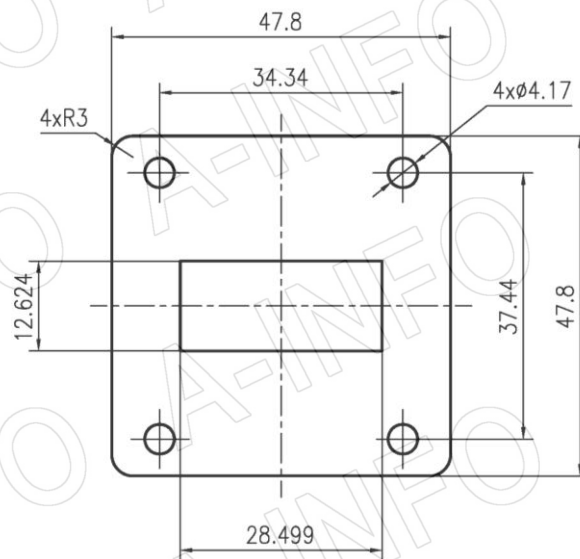
(+86) 10-6266-7327 Fax: (+86) 10-6266-7379  
(+86) 28-8519-3044 Fax: (+86) 28-8519-3068  
(+1) 949-639-9608 Fax: (+1) 949-639-9670

Website: [www.ainfoinc.com](http://www.ainfoinc.com)  
Email: [sales@ainfoinc.com](mailto:sales@ainfoinc.com)

## Flange Drawing (Size: mm)



FBP84-M



FBP84

**AINFO Inc.**

China(Beijing): Tel: (+86) 10-6266-7326,  
 China(Chengdu): Tel: (+86) 28-8519-2786,  
 USA: Tel: (+1) 949-639-9688,

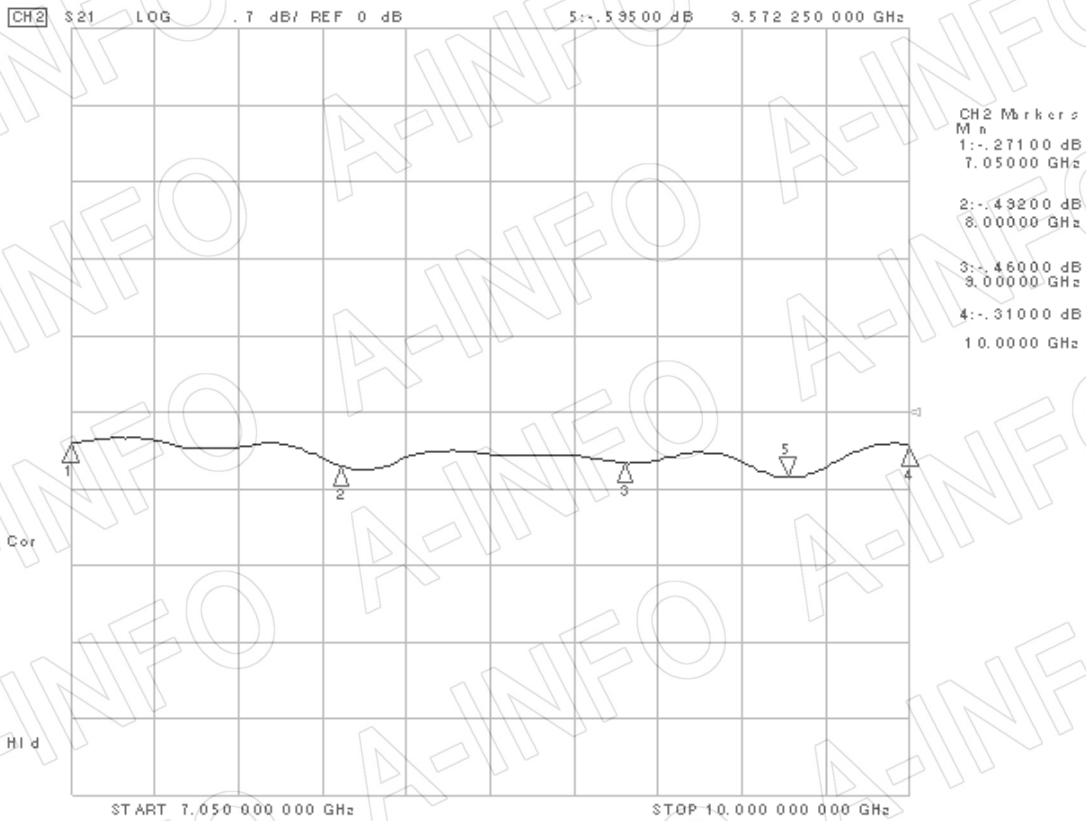
Page 2 of 5

(+86) 10-6266-7327 Fax: (+86) 10-6266-7379  
 (+86) 28-8519-3044 Fax: (+86) 28-8519-3068  
 (+1) 949-639-9608 Fax: (+1) 949-639-9670

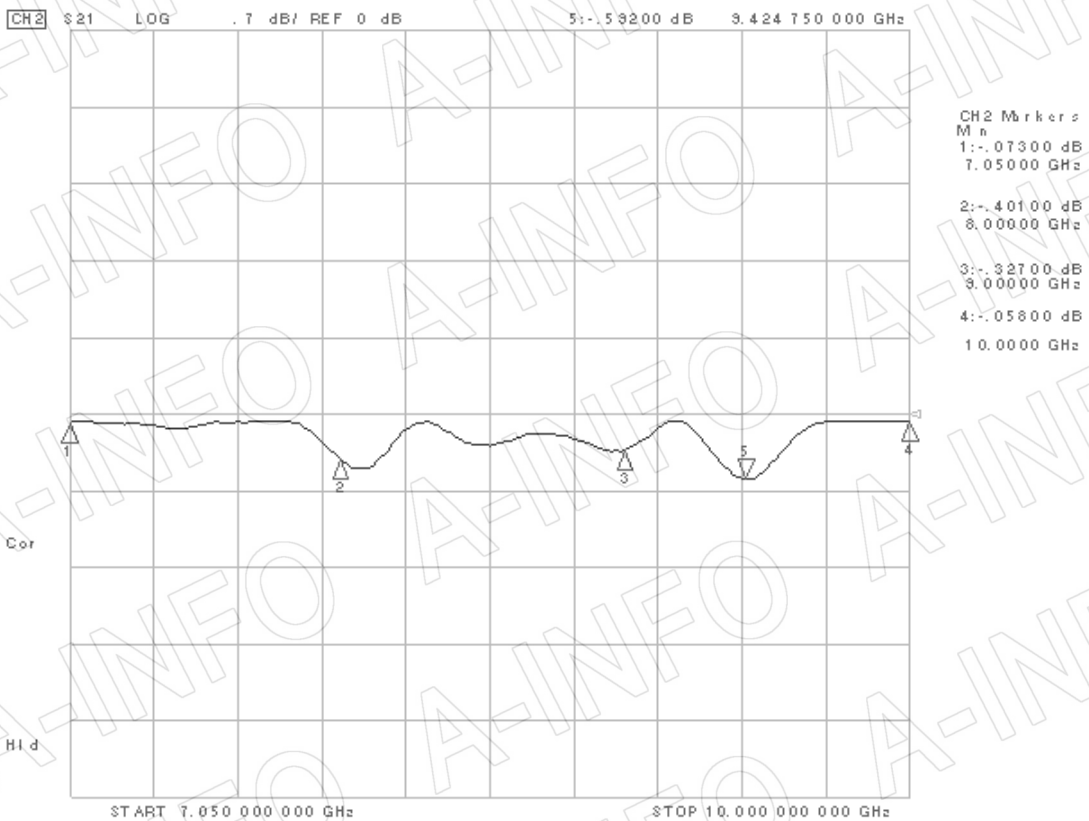
Website: [www.ainfoinc.com](http://www.ainfoinc.com)  
 Email: [sales@ainfoinc.com](mailto:sales@ainfoinc.com)

## Test Results

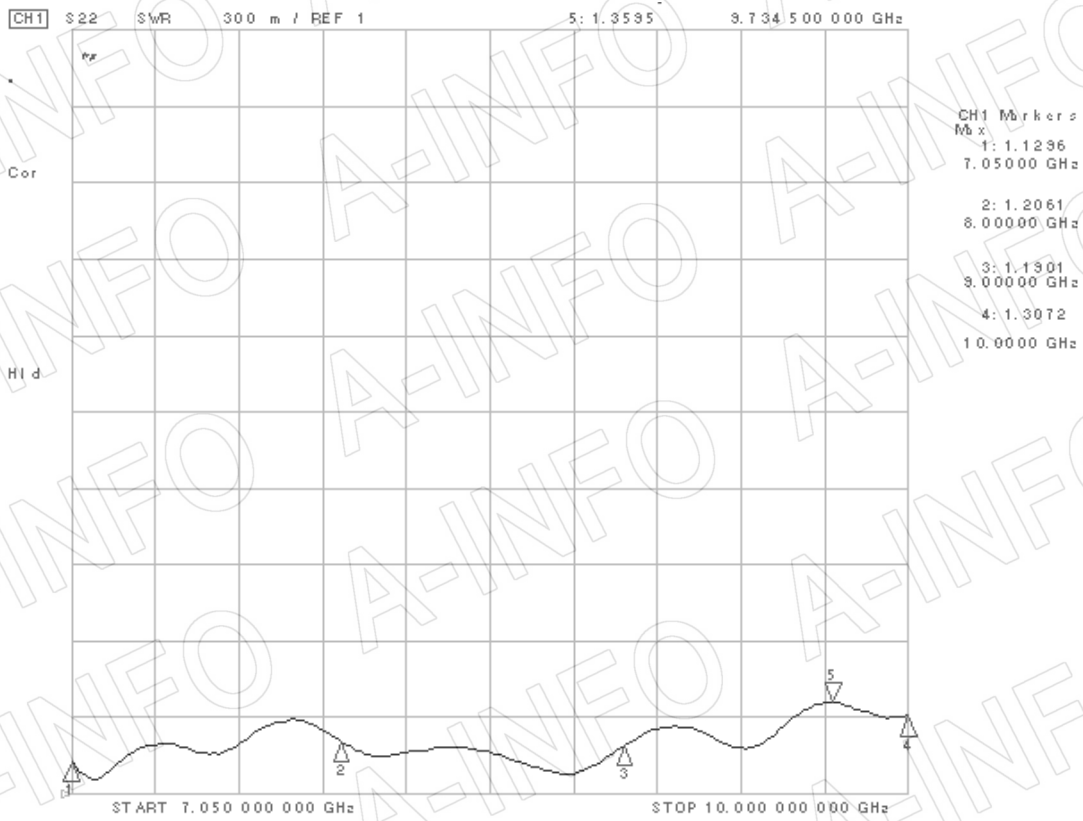
### Port H\_ Insertion Loss(Test with two OMT back to back)



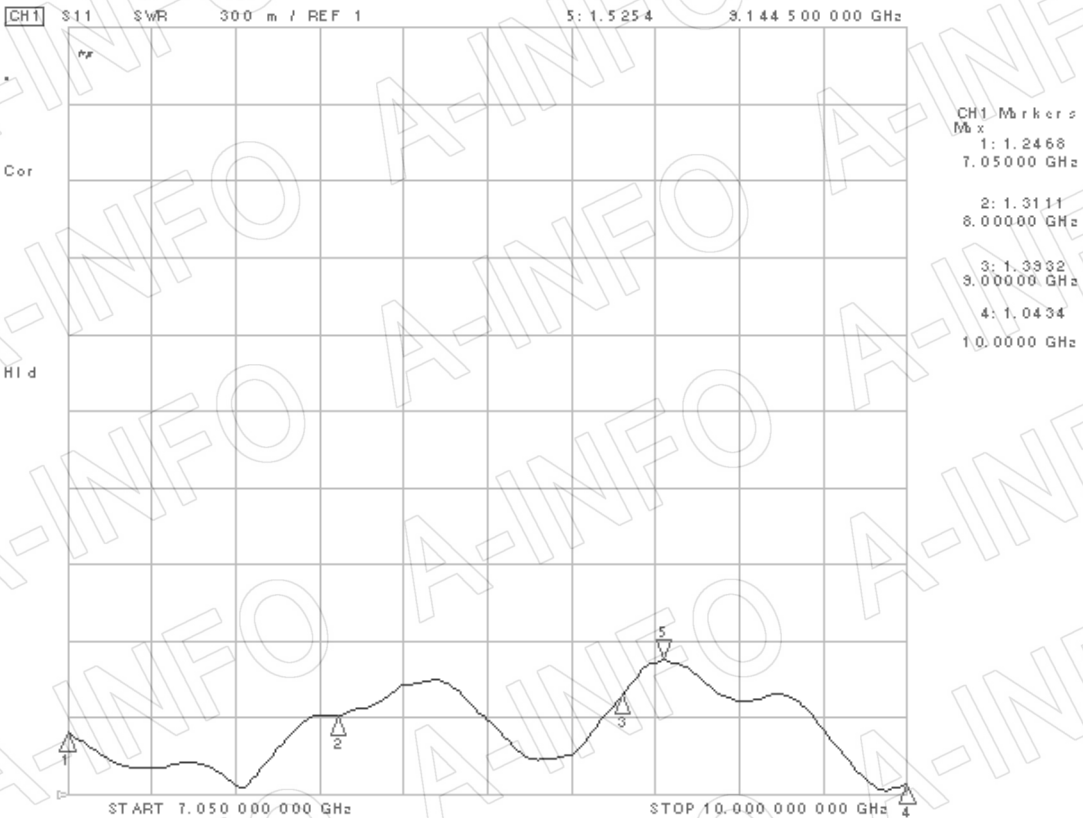
### Port V\_ Insertion Loss(Test with two OMT back to back)



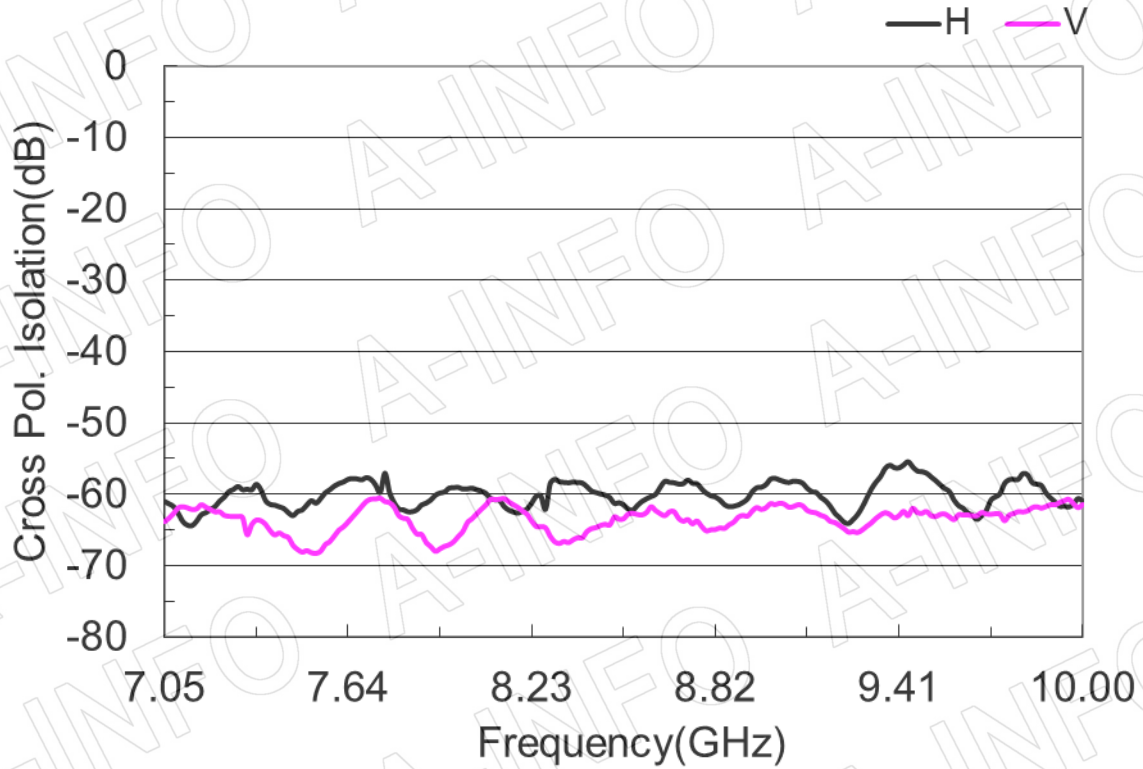
## Port H\_VSWR



## Port V\_VSWR



## Cross Polarization Isolation



## Port to Port Isolation

